

## Time Relays



**Single Timer  
TC441**

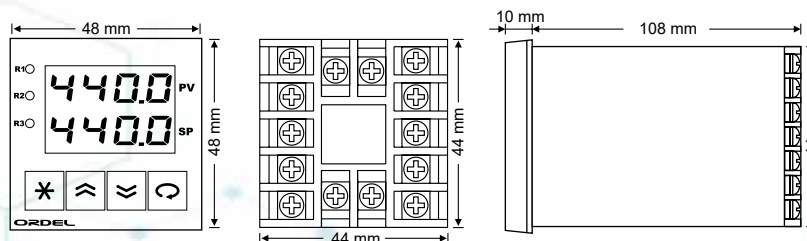


**Double Timer  
TC440**

TC441 devices are designed for different timing processes needed in industrial environments. This device contains a timer that can operate in three different modes. The time unit of this timer can be selected as seconds, minutes or hours and can be set between 0.00-99.99 / 0-999 values. There are 100-240Vac / dc (Universal) and 24Vac / dc supply voltage. It complies with international EMC and Safety standards.

TC440 devices are designed for different timing processes needed in industrial environments. This device contains two separate timers that can operate in four different MODs. The time unit of each of these timers can be selected as seconds, minutes or hours and can be set between 0.00-99.99 / 0-999 values. There are 100-240Vac / dc (Universal) and 24Vac / dc supply voltage. It complies with international EMC and Safety standards.

### Device Dimensions



Panel Cutting Dimensions =  $45 \pm 0,5 \text{ mm} \times 45 \pm 0,5 \text{ mm}$

# Operating Modes

Table-1	MOD0 ( $\bar{r}d.n = 0$ )	MOD1 ( $\bar{r}d.n = 1$ )	MOD2 ( $\bar{r}d.n = 2$ )	MOD3 ( $\bar{r}d.n = 3$ )
WARNING (DI)				
OUTPUT (DO <sub>n</sub> )				

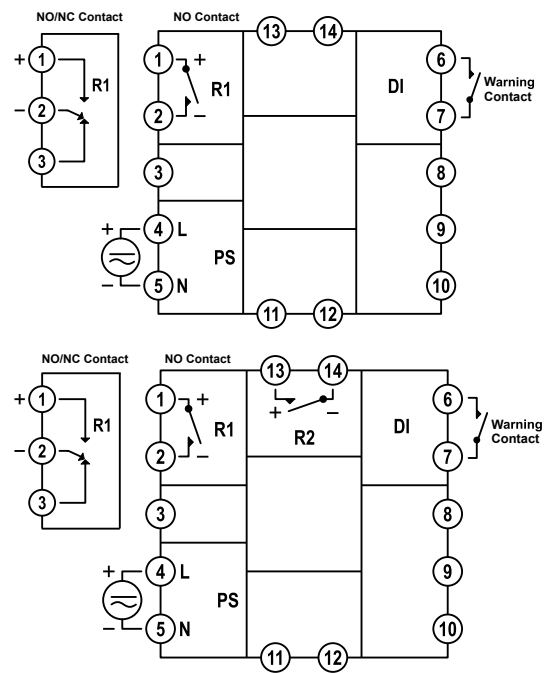
"T" in the table represents the set time and "t" means the remaining time. The region indicated by the dotted line is the region where time advances.

1

## Technical Specifications

Supply Voltage ( PS )	100-240 Vac/dc +10%-15% 24 Vac/dc +10%-20%
Power Consumption	3W, 5VA
Relay Output ( R1,R2 )	Contact = 250VAC 10A NC Contact = 250Vac 3A
Contact Lifetime	No Load = 10.000.000 Switching 250V,10A Resistive Load = 1.000.000 Switching
Memory	100 Years, 100.000 Renewals
Accuracy	+/- 0,1%
Sampling Time	100 ms
Environment Temperature	Working = -10...+55°C Storage = -20...+65°C
Protection Class	Front Panel = IP54 Trunk = IP20
Dimensions	Width = 48 mm Height = 48 mm Depth = 108 mm
Panel Cutting Dimensions	45 +/- 0,5 mm x 45 +/- 0,5 mm
Weight	154 gr

## Modular Structure and Connection Diagram



## Product Code

TC441 - /

Power Supply :

- 0 = 100-240Vac (Universal)
- 1 = 24Vac/dc

R1 Output Module :

- 0 = N/A
- 1 = NO Contact
- 2 = 24V Logic Output ( to drive SSR )
- 3 = NO/NC Contact

TC440 - /

Power Supply :

- 0 = 100-240Vac (Universal)
- 1 = 24Vac/dc

R1 Output Module :

- 0 = N/A
- 1 = NO Contact
- 2 = 24V Logic Output ( to drive SSR )
- 3 = NO/NC Contact

R2 Output Module :

- 0 = N/A
- 1 = NO Contact
- 2 = 24V Logic Output ( to drive SSR )