

Differential Pressure Controller



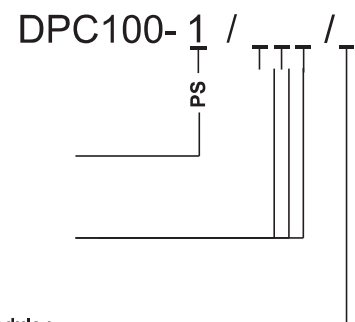
DPC100

DPC100 Model devices are designed for the applications which requires measurement of differential pressures and use the result signal for control operations. They are reliable, hi tech devices and adapted to international standards.

Device Features

- 2 Item 4 Digit Numerical Display
- 2 Item Led Indicator
- 1 Analog Output (0/4-20mA, 0/2-10V)
- 2 Item Programmable NO semiconductor contact output
- Sensor Error Detection
- Different Sensor Alternatives

Product Code



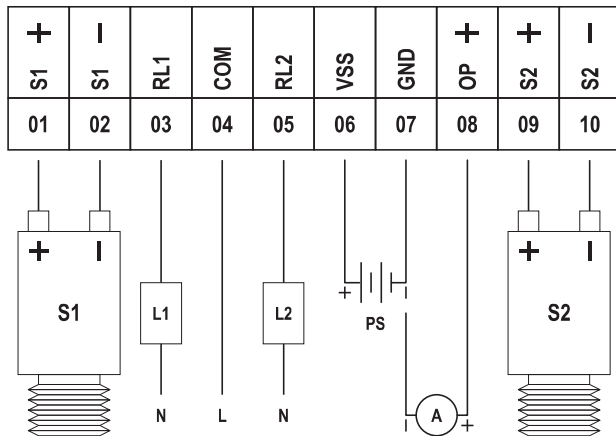
Supply Voltage :
1 = 24Vac/dc

Pressure Range :
040 = 4 bar
100 = 10 bar

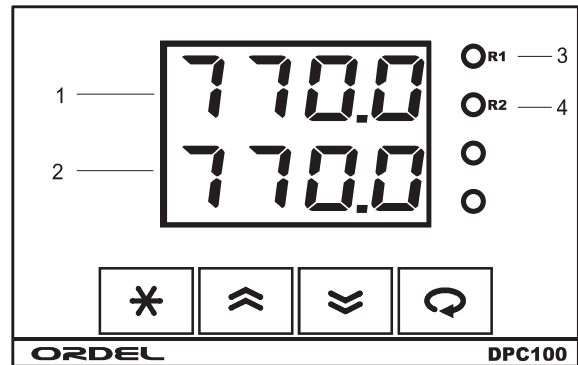
Analog Output Module :
1 = 0/4-20mA Current
2 = 0/2-10V Voltage Output

NOTE: Please contact with us for other preferences

Connection



Display



1	1. DISPLAY	Parameter Name
2	2. DISPLAY	Parameter Value
3	R1 LED	It indicates when "R1" is powered up
4	R2 LED	It indicates when "R2" is powered up
	\Leftarrow	It is used to changes parameter or parameter value
	\Rightarrow	It is used to change parameter or parameter value
	↻	It is used to access to next parameter
	*	It is used to return to first parameter

Technical Specifications

Supply Voltage	240Vdc (12-32V dc)		
PowerConsumption	5W,8VA		
Analog Output	Current: 0/4-20mA (Load Impedance \leq 350 Ω)	Voltage: 0/2-10V (Load Impedance \geq 1M Ω)	
SemiConductor Relay Output	NO Contact: 250Vac, 50mA		
Memory	100 year, 100000 renewals		
Accuracy	+/- %0,8		
Sampling Periode	100ms		
Environment Temperature	Operation: -10...+55 $^{\circ}$ C	Storage: -20...+65 $^{\circ}$ C	
Protection	IP65		
Dimensions	Length: 115mm	Height: 95mm	Depth: 56mm
Weight	330 gr		