

M12 and DIN 43650 Socket Connection Two Wires Temperature Converter (Pt-100 Input)



TT13 (RT)

TT13 Model converters are industrial devices for measuring temperature information in industrial environments and converting this information with a standard two-wire 4-20mA analog signal. Resistance thermometer type sensors can be connected.

During the design phase, compliance with international standards, reliability and ease of use are based on. For this reason, they are ergonomic devices that can be used for many different controls in many sectors.

Device Features

1 pcs Sensor Input (RT)
1 pcs Analog Output (4-20mA)

24V DC Supply
Two Wire Connection

Hygienic Connection Option
M12 Connection (IP66)
DIN 43650 Electrical Connection

Input Types

Sensor Type	Standard	Min.	Max.
Pt-100 Resistance Thermometer	DIN 43760	-200 °C	850 °C
Pt-1000 Resistance Thermometer	DIN 43760	-70 °C	500 °C

Technical Specifications

Power Supply (PS)	10-35 VDC	Sampling Time	100 ms
Input	Resistance Thermometer = Pt-100, Pt-1000 Current = 4-20mA, 20-4mA	Environment Temperature	Working = -20...+70°C Storage = -40...+85°C
Analog Output	Current = 0/4-20mA, 20-4mA	Dimensions	Width = 85 mm
Memory	100 Years, 100.000 Renewals		Height = 120 mm
Accuracy	+/- 0,2%		Depth = 120 mm

Product Code

Resistance Thermometer Type Coding

TT13 - - - - -

Picture No : _____

- A1
- A2 - Hygienic Type
- A3 - Hygienic Type
- A4
- A5 - Hygienic Type
- A6 - Hygienic Type

Electrical Connection : _____

- 1 = DIN 43650 Valve Socket
- 2 = M12 x 1 Socket

Element Class : _____

- A = A Class Pt-100
- B = B Class Pt-100
- C = B Class Pt-1000
- D = A Class Pt-1000

Outer Protective Sheath Material : _____

- E = 1,4301 (AISI 131 304)
- F = 1,4401 (AISI 131 316)
- B = 1,4404 (AISI 131 316L)
- H = 1,4571 (AISI 131 316Ti)
- J = 1,4541 (AISI 131 321)

NOTE: Outer protective sheath will be code as "0" when required with mineral insulation.

Outer Protective Sheath Diameter : _____

- 06 = 6 mm
- 08 = 8 mm
- 09 = 9 mm
- 11 = 11 mm
- 12 = 12 mm
- 14 = 14 mm
- 15 = 15 mm

Mineral Insulated Outer Protective Sheath Diameter : _____

- 20 = 2 mm
- 30 = 3 mm
- 45 = 4,5 mm
- 60 = 6 mm
- 80 = 8 mm

Exceptions :

- RX* (Raccord)
- RA (Adjustable Raccord)
- F (Flange)
- HD (Air Perforated)
- Ö (Special)
- SF (Certificate)
- W (Thermowell)
- T (Teflon Coating)
- TH (Teflon Hose)

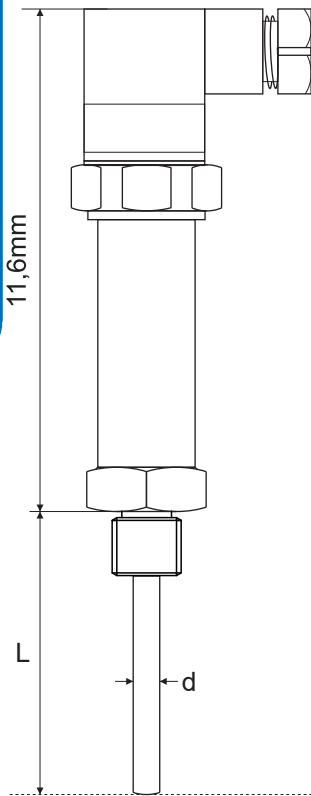
Immersion Length :

- 5 = 50 mm
- 10 = 100 mm
- 15 = 150 mm
- 20 = 200 mm
- 25 = 250 mm
- 30 = 300 mm
- 40 = 400 mm
- 80 = 800 mm

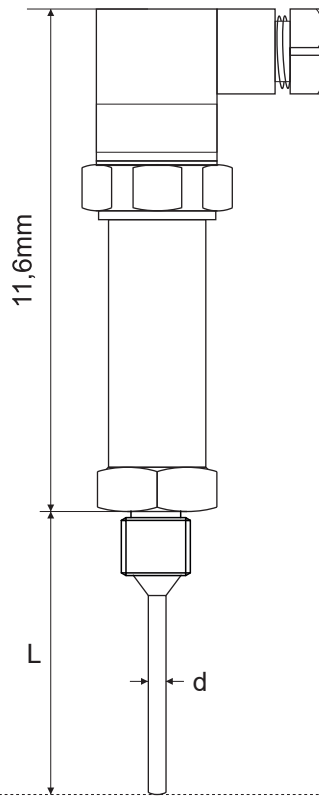
Note: All Lengths Between 10 mm 5000 mm

2

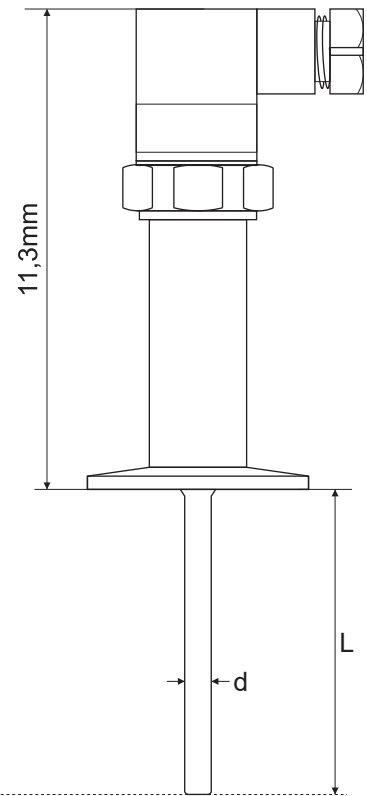
DIN 43650 Valve Socket



A1

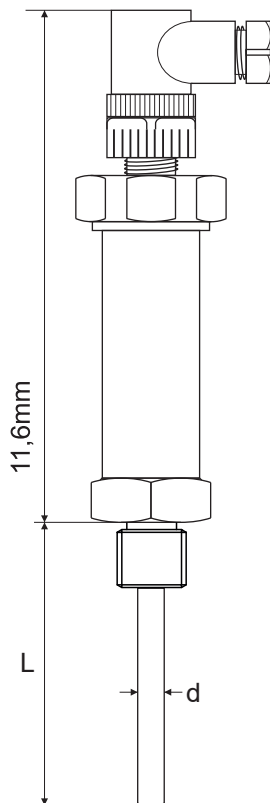


A2 - Hygienic Type

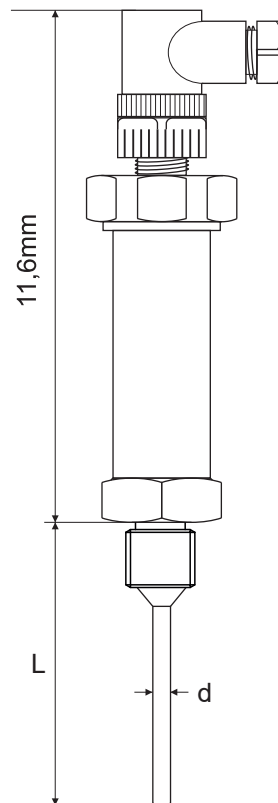


A3 - Hygienic Type

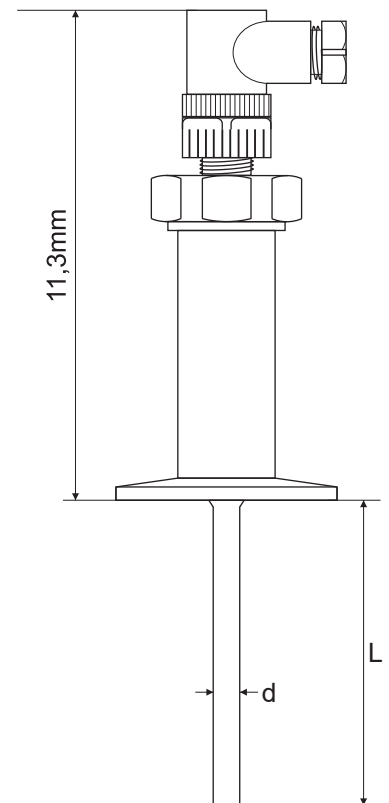
M12 x 1 Socket



A4



A5 - Hygienic Type



A6 - Hygienic Type