

TC770

Time Relay USER GUIDE's



DEVICE DESCRIPTION

Model Tc771 devices are designed for applications which requires different timing processes. TC771 may be operated in three different modes by the usage of two timer and time unit can be chosen as seconds, minutes or hours in the interval of 0.00-99.99 and 0-9999.

100-240Vac/dc universal and 24Vac/dc power voltage models are available.

TC990 is compatible with the standards of EMC and international security

SAFETY PRECAUTIONS

Before using the device, please read the warnings below and this guide carefully.

The accidents and damages resulting from not following the warnings included in this guide are under user's responsibility.

Take the necessary precautions in order to prevent accidents and damages that may result in case the device gets faulty.

Do not use this device in environments where flammable or explosive gases exist.

Do not allow metal fragments or lead wire scraps or liquid matters to fall inside this device.

Do not touch the terminals while the device is energized (power on)

Device will be out of guarantee when it gets faulty resulted from misusages.

Do not power up the device before the connections related with the device are performed in accordance with connection diagram.

GÖSTERGE KARAKTERLERİ

ALFABETİK KARAKTERLERİN GÖSTERİMİ

| | | | | | | | | | | | | |
|---|---|---|---|---|---|---|---|---|---|---|---|---|
| A | B | C | D | E | F | G | H | I | J | K | L | M |
| A | b | C | d | E | F | G | H | I | J | K | L | ñ |
| N | O | P | Q | R | S | T | U | V | W | X | Y | Z |
| n | o | P | q | r | s | t | U | u | v | w | y | z |

PRODUCT CODE

TC771- /

Supply Voltage

0 = 100-240Vac/dc (Universal)

1 = 24Vac/dc

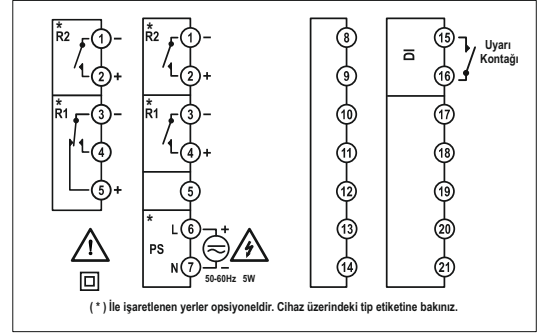
First Output Module (DO1)

1 = NO Contact

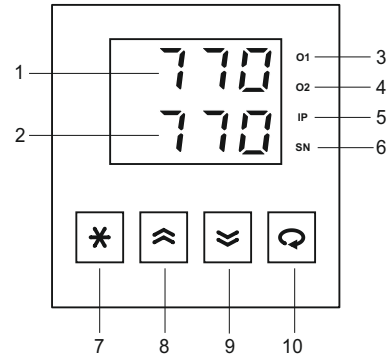
2 = NO/NC Contact

3 = Pulse (to drive SSR)

CONNECTION DIAGRAM



DISPLAY and BUTTONS

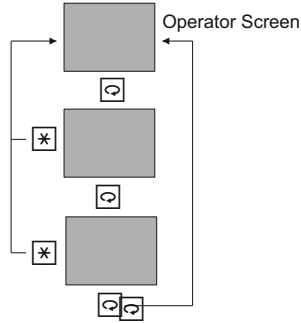


| | | |
|----|----------------|--|
| 1 | UPPER DISPLAY | It displays the remaining time of the first timer or the parameter names. |
| 2 | LOWER DISPLAY | It displays the remaining time of the second timer or the parameter names. |
| 3 | O1 LED | It indicates the state of first output module (DO1). |
| 4 | O2 LED | It indicates the state of second output module (DO2). |
| 5 | IP LED | It indicates the state of alarm contact (DI). |
| 6 | SN LED | It blinks with a periode of 1 second while the time passes. |
| 7 | ASTERIX BUTTON | It is used to return to Operator-Screen. |
| 8 | UPPER ARROW | It is used to increase the time that will be set or the parameter value. |
| 9 | LOWER ARROW | It is used to decrease the time that will be set or the parameter value. |
| 10 | ENTER BUTTON | It is used to access the next parameter. |

TECHNICAL SPECIFICATIONS

| | | |
|------------------|--|---------------------|
| Supply Voltage | 100-240Vac/dc: +%10 -%15 | 24Vac/dc: +%10 -%20 |
| Power | 5W,8VA | |
| Output Modules (| NO Contact: | NC Contact: |
| Contact Lifetime | Without Load: 10.000.000 sw, With 250Vac 3A res. load: | |
| Memory | 100 year, 100.000 renewals | |
| Accuracy | +/- %0,01 | |
| Environment | Operation: -10...+55C, Storage: -20...+65C | |
| Protection | IP20 | |
| Dimensions | Width: 72 mm, Height: 72 mm, Depth: 110mm | |
| Panel Cut-Out | 68 +/-0,5 mm x 68 +/-0,5 mm | |
| Weight | 292 gr | |

USAGE



While in normal operation state, upper display displays the remaining time, lower display displays the remaining time of second timer. This view is called Operator-Screen.

While in Operator-Screen, pressing the "◀" key brings the set value of first timer (SET.1). pressing the "▶" key for the second time brings the set value of second timer (SET.2).

Any set value can be changed by pressing "▲" or "▼" keys.

In order to return the Operator-Screen while in any time, "✖" key can be used.

Operation mode of the device, time unit and decimal point are set using the parameters that can be found in Configuration-Page.

Accessing configuration page and the parameters in this page are described in the next section.

ACCESS to CONFIGURATION PAGE

In order to access the configuration page, just after energizing the device, in the interval of two seconds (while 8.8.8.8. Is displayed on screen), "✖" and "◀" keys should be pressed simultaneously and held while opening message appears on screen.

In configuration page, first display displays the parameter name and the second displays the parameter value. "▲" and "▼" keys change the parameter value, "▶" parameter is used to access the next parameter and "✖" key is used to exit from Configuration-Page.

CONFIGURATION PAGE PARAMETERS

| | | |
|---------|--|--|
| Par. 01 | | Operating Mode of First Timer (Ref Table-1) |
| | | Setting Preferences : 0 - 5 |
| Par. 02 | | Time Unit of First Timer |
| | | Setting Preferences : SEC = Second MIN = Minute HR = |
| Par. 03 | | Decimal Point of First Timer |
| | | Setting Preferences: 0 - 2 |

OPERATION MODES

MODE 0: When the alarm contact is ON, the time count and the selected relay are ON. At the end of the time, the relay turns OFF.

MODE 1: When the warning contact is ON, the relay is ON at the end of the timer and time. The relay output is interrupted when the alarm contact is interrupted.

MODE 2: Starts counting time when a warning contact is set and stopped. The relay is energized until the warning contact is ON and the time is expired.

TABLE1

| Table-1 | MOD0 (MD.n = 0) | MOD1 (MD.n = 1) | MOD2 (MD.n = 2) |
|--------------|-----------------|-----------------|-----------------|
| WARNING (DI) | | | |
| OUTPUT (DO) | | | |

"T" represents the set time and "t" represents the remaining time. Hatched line is the active time line.

Operating modes in table are valid for both timers. "n" represents the timer number.

In MOD3, (MD.n = 3) "td=0" is the time that other timer becomes "0". Namely, if a timer is wanted to run after other timer, MOD3 should be selected. If both timers is wanted to be run in order, MOD3 should be selected for both timers.