

Time Relays



Single Timer
TC491

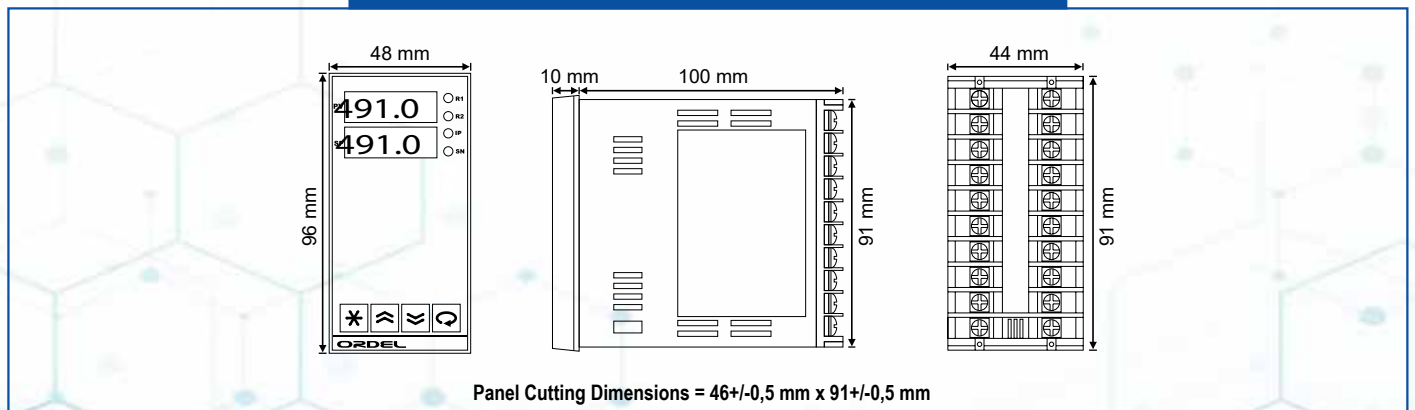
TC491 devices are designed for different timing processes needed in industrial environments. This device contains a timer that can operate in three different modes. The time unit of this timer can be selected as seconds, minutes or hours and can be set between 0.00-99.99 / 0-999 values. There are 100-240Vac / dc (Universal) and 24Vac / dc supply voltage. It complies with international EMC and Safety standards.



Double Timer
TC490

TC490 devices are designed for different timing processes needed in industrial environments. This device contains two separate timers that can operate in four different MODs. The time unit of each of these timers can be selected as seconds, minutes or hours and can be set between 0.00-99.99 / 0-999 values. There are 100-240Vac / dc (Universal) and 24Vac / dc supply voltage. It complies with international EMC and Safety standards.

Device Dimensions



Operating Modes

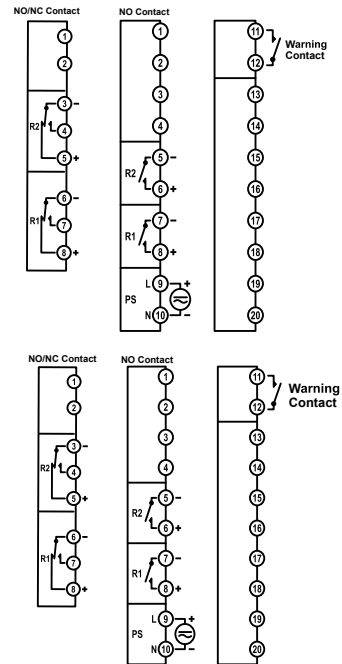
| Table-1 | MOD0 ($\bar{r}d.n = 0$) | MOD1 ($\bar{r}d.n = 1$) | MOD2 ($\bar{r}d.n = 2$) | MOD3 ($\bar{r}d.n = 3$) |
|---------------------------|---------------------------|---------------------------|---------------------------|---------------------------|
| WARNING (DI) | | | | |
| OUTPUT (DO _n) | | | | |

"T" in the table represents the set time and "t" means the remaining time. The region indicated by the dotted line is the region where time advances.

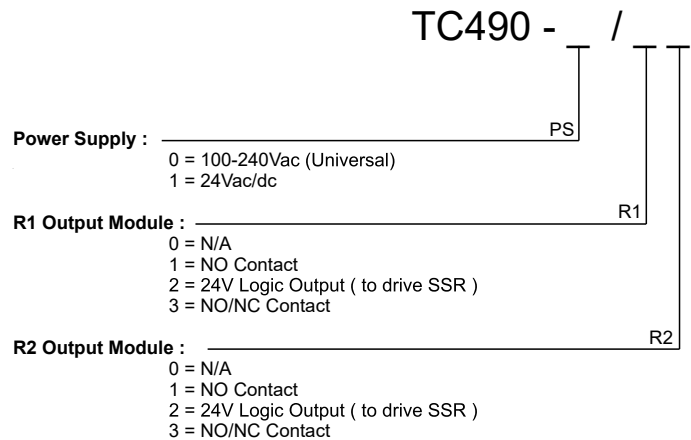
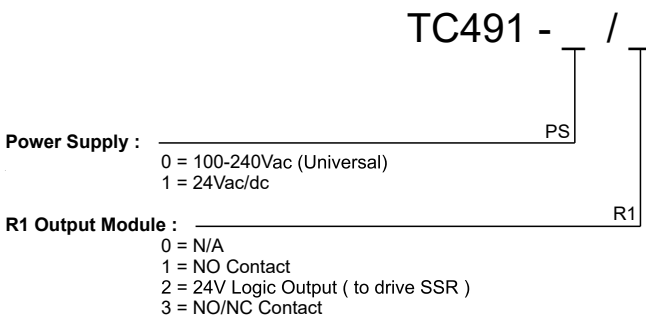
1

| Technical Specifications | |
|--------------------------|---|
| Supply Voltage (PS) | 100-240 Vac/dc +10%-15% 24 Vac/dc +10%-20% |
| Power Consumption | 3W, 5VA |
| Relay Output (R1,R2) | Contact = 250VAC 10A NC Contact = 250Vac 3A |
| Contact Lifetime | No Load = 10.000.000 Switching 250V,10A Resistive Load = 1.000.000 Switching |
| Memory | 100 Years, 100.000 Renewals |
| Accuracy | +/- 0,1% |
| Sampling Time | 100 ms |
| Environment Temperature | Working = -10...+55°C Storage = -20...+65°C |
| Protection Class | Front Panel = IP54 Trunk = IP20 |
| Dimensions | Width = 48 mm Height = 96 mm Depth = 110 mm |
| Panel Cutting Dimensions | 46 +/- 0,5 mm x 91 +/- 0,5 mm |
| Weight | 292 gr |

Modular Structure and Connection Diagram



Product Code



Note : If R1 relay is coded as 3 (NO / NC), and relay R2 is selected as contact, it should be coded as NO / NC.
If the R2 relay is coded as 3 (NO / NC), and the R1 relay is selected as a contact, it should be coded as NO / NC.