

Conductive Type Liquid Level Sensor



OISS



SSR-05

Conductivity Type Liquid Level Relay

OISS model conductive type liquid level sensors are sensors used to determine the liquid levels of tanks or containers in industrial environments. These liquid level sensors are used with SSR-05 liquid level relays. It can be used with single, double, three or four electrodes depending on application areas. It has a wide area of use as it is not affected by the temperature and pressure in the environment.

SSR-05 Model conductive type liquid level devices are electronic devices used to determine the liquid levels of tanks or containers in industrial environments. These devices are used with OISS liquid level sensors. It can be used with single, double or triple electrodes depending on application areas.

Sensor Features

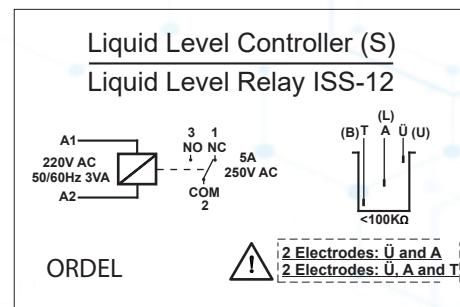
- Working Pressure 2 Bar
- Working Temperature Range 100 ° C
- Four Electrode Options
- Three Types of Diameter Options
- Three Types of Raccord Connection
- Special Designs for User

Device Features

- 220V AC 50 / 60Hz 3VA Supply
- 5A 250V AC NO / 0 / NC Relay Output
- Connecting a Single, Double or Three Electrode

7

Connection Diagram



| Conductive Type Level Sensor | | OISS | - | / | --- | / | -- | / | - | -- | / | -- |
|-------------------------------|---|------|------------------|---|-------------------|---|----------------|---|-------------|----------------------------|---|-------------------|
| Number of Electrodes : | 1 Electrode 2 Electrodes 3 Electrodes 4 Electrodes | | 1 2 3 4 | | | | | | | | | |
| Diameter : | 5 mm 6 mm 8 mm | | | | 005 006 008 | | | | | | | |
| Electrode Type : | Headed Constant Wired Specify Cable Length | | | | | | KF SK VS | | | | | |
| Electrode Material : | Stainless Stainless Special (For Special Cases, Contact Our Company.) | | | | | | | | E H Ö | | | |
| Probe Length : | 015 cm - - 100 cm 200 cm | | | | | | | | | 15 - - 100 200 | | |
| Connection : | ½" Raccord ¾" Raccord 1" Raccord | | | | | | | | | | | R½" R¾" R1" |
| Electronic Unit : | SSR-05 : 1 pcs NO/NC Contact Output 3 pcs Electrode Connect Operating Voltage 220 Vac | | | | | | | | | | | |

Note: ELECTRONIC UNITS to be used with conductivity type level sensor must be ordered separately.
For wired type, please specify cable length in order.
Tank or Silo must be conductive.
If the tank and silo are not conductive, a grounding electrode should be used.