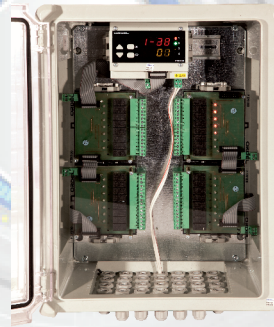


Filter Timer



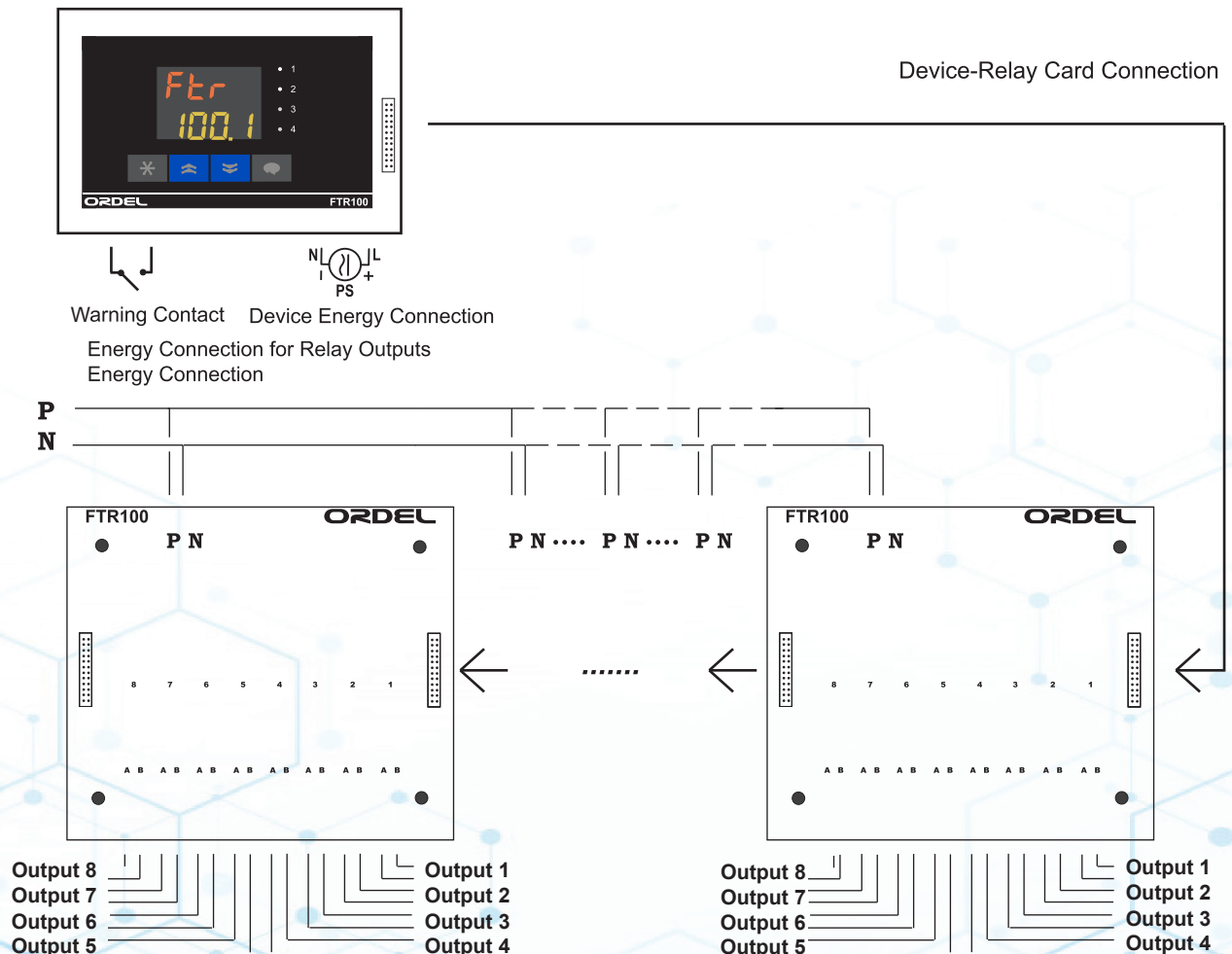
FTR100

FTR100 Model devices are microprocessor-controlled timer designed to be used in cleaning systems of filters used in industrial environments. The device consists of a main control device and output units controlled by this device. The relays used in each output unit are capable of switching 250V AC 10A for resistive load. FTR100 Model devices can be programmed to operate in a single group or up to 8 groups according to user demand. Thanks to the number of relays that can be selected by software, the user can create a series as needed. The 8 channel outputs on the groups can change each other's pulse duration and waiting time, and assign a waiting time at the end of the array they create.

3

FTR100 Model devices come with 100-240V AC / DC or 24V AC / DC supply voltage according to user demand.

Connection Diagram



Technical Specifications

Supply Voltage (PS)	100-240Vac/dc +10%, -15% 24Vac/dc +10%, -20%
Power Consumption	6W, 7VA
Life	100 Years or 100,000 Renewals
Accuracy	+/- 0,2%
Sampling Time	400 ms
Environment Temperature	Working = -10...55°C , Storage = -20...65°C
Number of Groups	Between 1 ... 8
Number of Outlets	Between 1 ... 64 pieces
Output Relay Power	At resistive load = up to 250V AC 10A
Pulse Duration	Adjustable = 0,0...999,9 sn
Waiting Time	Adjustable = 0,0...999,9 sn
Group Transition Time	Adjustable = 0,0...999,9 sn
Indicator Decimal Value	1 digit

Product Code

3

FTR100- / / /

Supply Voltage :

0 = 100-240Vac/dc (Universal)
1 = 24Vac/dc

PS

Number of Outputs:

08 = 8 Channel Output Unit
16 = 16 Channel Output Unit
24 = 24 Channel Output Unit
32 = 32 Channel Output Unit
40 = 40 Channel Output Unit
48 = 48 Channel Output Unit
56 = 56 Channel Output Unit
64 = 64 Channel Output Unit

O

Output Type :

R = Relay Output
T = Transistor Output

OT

Outer Plastic Board :

0 = N/A
1 = Yes